

User Manual

Antari M-5 & M-10 Fog Machine



Congratulations on the purchase of your new
ANTARI FOG MACHINE.

▣ Introduction

Thank you for choosing Antari Fog machine. You now own a rugged and powerful state-of-the-art machine. Prior to use, we suggest that you carefully read all of the instructions. By following the suggestions found in this user manual, you can look forward to the reliable and satisfactory performance of your ANTARI Fog Machine for years to come.

Please follow these operation, safety and maintenance instructions to ensure a long and safe life for your fog machine.

▣ CAUTION:

Risk of electric shock. Disconnect the machine from the electric supply before refilling liquid, cleaning or performing maintenance on the machine.

- Danger of Electric Shock
- Keep this device dry.
- Always use 3-prong grounded electrical outlet for all power voltage. Prior to use take care to determine that the unit is installed at the rated voltage.
- Always unplug your ANTARI Fog Machine before filling its tank.
- Always keep the fog machine in flat position.
- Turn off or unplug the machine when not in use.
- If moisture, water or fog liquid gets inside the machine, immediately unplug the unit and wipe off and keep it dry.
- No user serviceable parts inside. Refer to your ANTARI dealer or other qualified Service personnel.

▣ Danger of Burns

- Structural modification inside the machine is not allowed at anytime, please do not attempt to modify the machine by removing the cover, otherwise burns may result.
- Never leave the unit running unattended.
- Never aim the output nozzle directly at people or animals.
- Fog machine output is very hot. Avoid coming within 60 cm of the output nozzle during operation.
- Locate the fog machine in a well-ventilated area. Never cover the unit's vents. In order to guarantee adequate ventilation, allow a free air space of at least 20 cm around the sides and top of the unit.
- Never aim the output nozzle at open flames.
- The output nozzle becomes very hot during operation (200°C). Keep flammable materials at least 50 cm away from the nozzle.
- Always allow your ANTARI Fog Machine to cool down before attempting to clean or service it & transporting.

► Danger of Explosion

- Never add flammable liquids of any kind (such as oil, gas, perfume) to the fog liquid.
- Use only high-quality, water-based fog liquid that your dealer recommends. Other fog liquids may cause clogging or damage to internal parts.
- Always make sure there is sufficient liquid in the tank. Operating this unit without liquid will cause damage to the pump as well as over-heating of the heater. If your ANTARI fog machine fails to work properly, discontinue use immediately. Drain all fog liquid from the tank, pack the unit securely (preferably in the original packing material), and return it to your ANTARI dealer for service.
- Always drain tank before mailing or transporting this unit.
- Never drink fog liquid. If it is ingested, call a doctor immediately. If fog liquid comes in contact with skin or eyes, rinse thoroughly with water.

Note: Pay attention to all warning labels and instructions printed on the exterior of your ANTARI Fog Machine

► Unpacking & Inspection

- Open the shipping carton and verify that all equipment necessary to operate the system has arrived intact.
- The shipping carton should contain the following items:

1. One unit of ANTARI M-Series Fog Machine (M-5 or M-10) with power cord
2. M-20 multi-function remote control with attached 2 meter cord
3. User Manual
4. Optional Accessory: Mounting brackets with screws (for M-5)
5. Optional Accessory: Flight case (FM-5 or FM-10)

If any equipment is missing contact your ANTARI dealer immediately.

Before beginning your initial setup on the ANTARI M-5 / M-10 Fog Machine, make sure that there is no evident damage caused by transportation. In the event that the unit's housing or cable is damaged, do not plug it in and do not attempt to use it until after contacting your ANTARI dealer for assistance.

► Setup

- Remove all packing materials from shipping box. Check that all foam and plastic padding is removed, especially in the nozzle area.
- Place fog machine on a flat surface and remove fog liquid tank cap.
- Fill with high-quality, water-based fog liquid about 3/4 full recommended by Antari dealer.
- When filled, place cap back on liquid tank.
- Firmly attach the M-20 control module cable to the connector inside the rear chamber of the machine.

► Operation

- The Plug should be in a position that is accessible when using the machine.
- Plug power cord into a grounded electrical outlet. Turn the power switch to **"ON"** on the back of the machine. Warm-up is completed when the display on the control module shows **"Ready to Fog"**
- To emit fog press the appropriate button on the M-20 control module for fogging duration, interval and volume
- The control unit display will display "Warming up" and "Ready to fog" as the machine reheats to the proper operating temperature.
- For further information on operating your M-5 and M-10 Fog Machine, see the section titled **"Control Module Operation"**.
- The limited warranty is based on 8-hour operation per day. Exceeding usage may shorten the lifetime of machines.

► **Caution:**

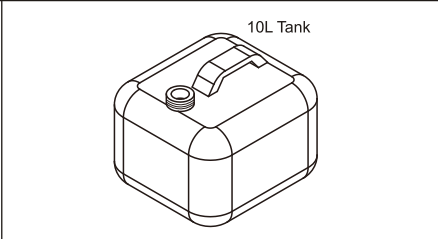
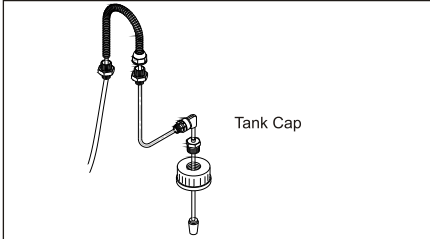
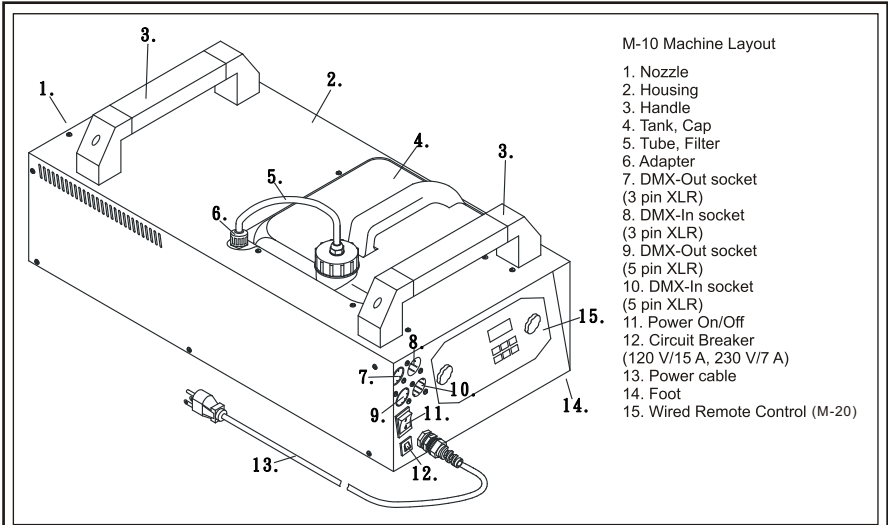
“Visibility during operation is reduced”.

This model can be operated at a floor level or sitting on any regular surface. Whatever installation method you choose, do not allow the unit to have more than 35 degree angle of inclination.

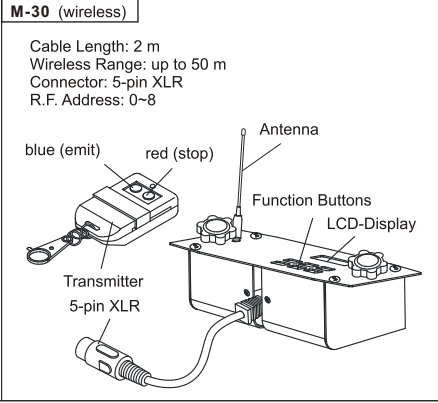
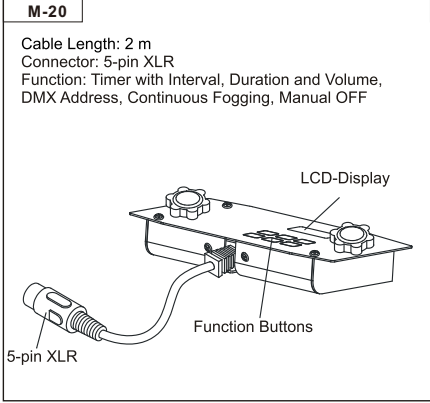
M-5 Description

	<p>M-5 Machine Layout</p> <ol style="list-style-type: none"> 1. Nozzle 2. Housing 3. Handle 4. Tank, Cap 5. Tube, Filter 6. Adapter 7. DMX-Out socket (3 pin XLR) 8. DMX-In socket (3 pin XLR) 9. DMX-Out socket (5 pin XLR) 10. DMX-In socket (5 pin XLR) 11. Power On/Off 12. Circuit Breaker (120 V/15 A, 230 V/7 A) 13. Power cable 14. Foot 15. Wired Remote Control (M-20)
<p>M-5 REMOTE CONTROL</p>	
<p>M-20</p> <p>Cable Length: 2 m Connector: 5-pin XLR Function: Timer with Interval, Duration and Volume, DMX Address, Continuous Fogging, Manual OFF</p>	<p>M-30 (wireless)</p> <p>Cable Length: 2 m Wireless Range: up to 50 m Connector: 5-pin XLR R.F. Address: 0-8</p>

M-10 Description



M-10 REMOTE CONTROL



Note: Fluid level sensor is installed on the unit. The machine 's pump will automatically stop working if the fluid is lower than usable level. It will re-start when temperature reaches working level. Always monitor tank fluid level as you are operating making sure there's sufficient liquid in the tank..

If you experience low output, pump noise or no output at all, unplug immediately. Check fluid level, the external fuse, remote control connection and power from the wall. If all Of the above appears to be O.K., plug the unit again. If fog does not come out, check the hose attached to the tank to make sure there is fluid going through the hose. If you are unable to determine the cause of the problem, do not simply continue pushing the remote button, as this may damage the unit. Return the machine to your Antari dealer.

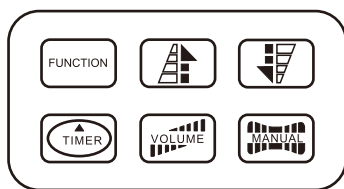
► Technical Specifications

Model	M-5	M-10
- Input voltage	US model : AC 100-120V, 50 / 60Hz 12.5A EU model : AC 220-240V, 50 / 60Hz 6.6A	EU model : AC 220-240V, 50 / 60Hz 13A
- Rated power	1500W	3000W
- Warm-up time	8 minutes (approx.)	9.5 minutes (approx.)
- Fluid consumption	160 ml/min	250 ml/min
- Fluid tank capacity	10l (2.64gal)	10l (2.64gal)
- Compatible fluid	Antari FLG-10 Heavy Fog Fluid Antari FLR-10 Light Fog Fluid	Antari FLG-10 Heavy Fog Fluid Antari FLR-10 Light Fog Fluid
- Ambient temp. range	0°C - 40 °C (32°F-104 °F)	0 °C - 40 °C (32 °F-104 °F)
- Output	25,000 ft ³ /min (708 m ³ /min)	50,000 ft ³ /min (1416 m ³ /min)
- Control	DMX512, Timer, Manual, Wireless (Optional)	DMX512, Timer, Manual, Wireless (Optional)
- DMX channels	1 channel	1 channel
- Connection	Neutrik Powercon (Power) XLR 3-pin and 5-pin (DMX)	Neutrik Powercon (Power) XLR 3-pin and 5-pin (DMX)
- Optional accessories	M-30 Pro Wireless Control Module FX-5 Flightcase M-5-HB Hanging Bracket	M-30 Pro Wireless Control Module FX-5 Flightcase
- Dimension	L668 W320 H276 mm (L26.30 W12.60 H10.87 inch)	L690 W320 H298 mm (L27.17 W12.60 H11.73 inch)
- Weight	15.5 kg (34.17 lbs)	21 kg (46.30 lbs)

► Control Module Operation

M-20: The M-20 is a 2 meter wired multi-function remote control with 5-pin XLR connector for ANTARI Fog Machine models M-5 and M-10. Its interface allows the operator to customize fog machine functions by adjusting fogging duration, interval and volume. Its LCD displays current operating parameters, which are automatically stored in non-volatile memory, allowing the machine to be powered down without losing function settings.

Instructions below:



1. LCD-Display
2. Function-button
Sub-menus:
-->Interval Set
-->Duration Set
-->Timer Out
-->Volume Out
-->Nonstop Burst
-->DMX 512 Add
3. Up-/Down-button
4. Timer-button
5. Volume-button
6. Manual-button

1. Via the "Function" button, you can adjust the desired settings in the sub-menus. After pressing the "Function" button once, the display shows "Interval Set". Adjust the interval between each fog emission (within the range of 1 to 255 seconds) with the Up/Down buttons. By pressing the "Function" button twice, the display shows "Duration Set". Adjust the duration of each fog emission (within the range of 1 to 20 seconds) with the Up/Down buttons. Under menu "Timer Out", you can adjust the output volume with the Up/Down buttons. Press "Function" again to enter the next menu, "Volume Out". Under this menu, you can set the fog output in % for the "Volume" function. Additionally, if you press Up at a value of 100% or Down at a value of 1% you can activate continuous fogging with the sub-menu "Non Stop Burst". The menu "DMX 512 Add" refers to adjusting the DMX address for DMX control or synchronization.

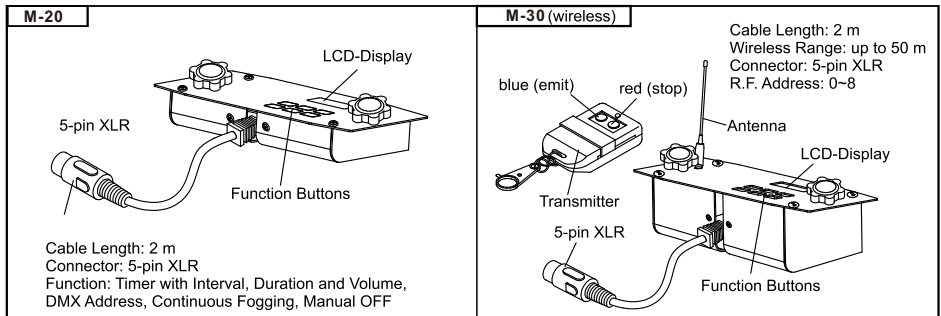
Adjust the desired DMX-address with the Up/Down buttons.

2. Press the "Timer" button to activate the timer function according to the parameters set in the "Function" sub-menus. The display shows the adjusted interval and the device counts the seconds down to "0". After that, the fog emission is triggered at the volume adjusted under sub-menu "Timer Out". The duration depends on the settings adjusted under menu "Duration Set". If you wish to deactivate the timer function, press the main "Timer" button once more.
3. Press the "Volume" button for immediate triggering of the fog emission at the volume adjusted under menu "Volume Out". Press the "Volume" button once more in order to stop the fog emission.
4. Keep the "Manual" button pressed for immediate triggering of the fog emission at 100 % volume. This function overrides all other functions. Release the button in order to stop the fog emission.

*Simulation example: To adjust the machine to a fog interval of 5 seconds, a duration of 10 seconds, a output volume of 40% with a DMX address 3, proceed as follows:

button Function-->menu: "Interval Set"-->button Up to 5 seconds-->button Function-->menu: "Duration Set"-->button Up to 10 seconds-->button Function-->menu: "Timer Out"-->button Up to 40%-->button Function-->menu: "DMX 512 Add"-->button Up to 3-->button Function-->button Timer

M-30: All M-20 features plus wireless capability. Wireless operation is possible up to a distance of 50 meters. The address can be set from 0 to 8, which means a max. of 9 different units can be controlled separately or in any combination desired. Press Function to cycle to RF mode to select desired address number. Make sure the address setting on the M-30 matches the address setting on the transmitter. There are two buttons on the transmitter. The blue one is to emit fog and red one is to stop the operation.



▶ Performance Note

- All fog machines develop condensation around the output nozzle. This may result in some moisture accumulation on the surface below the output nozzle, gently wipe it clean. If abnormal condensation is detected, please check your choice of fog liquid due to impurity. Kindly stop using to ensure life span of the machine.

► Maintenance / Storage

Do not allow the fog liquid to become contaminated. Always replace the caps on the fog liquid container and the fog machine liquid tank immediately after filling. Do not operate the fog machine without liquid at any time.

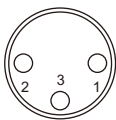
Clean with a dry cloth only. Store dry. Cleaning your fog machine regularly will help reduce costly replacement and repair charges.

Note: All fog machines are prone to clogging due to the thick consistency of fog liquid and the high temperature at which it vaporizes. It is strongly recommended that to do regular maintenance and services. A properly maintained fog machine should provide years of reliable use.

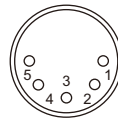
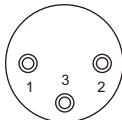
It is strongly recommended to test-run the machine on a monthly basis in order to achieve its best fogging condition. A test-run consists of warming up the machine followed by a few minutes of emission. Then please cool down the machine.

► DMX Connector Pin Assignment

The machine provide 3 or 5 pin XLR connector for DMX connection. Diagram below indicate pin assignment information



3 pin XLR



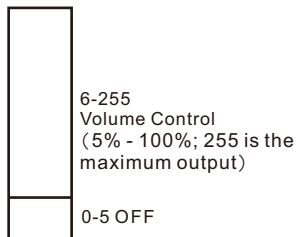
5 pin XLR

Pin	Function
1	Ground
2	Data -
3	Data +

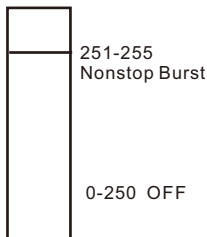
Please read and save these instructions.

Antari M-5 & M-10 on-board DMX settings

Channel A



Channel B



The fog machines M-5 & M-10 have on-board DMX control. They use 2 channels to control volume output operation. Channel A has a value range of 0 to 255 and Channel B has a range of 251 to 255. Timer functions such as duration and interval can be programmed via the DMX controller or the DMX control software used by the lighting and effects operator.

Channel A (Volume Control)

If Channel A has a value from 0 to 5, the unit is OFF.

Between the values 6 to 255, the output will be linear. With 6 being the minimum volume of fog produced and 255 approaching the maximum. The volume output rises as the DMX value is increased.

Channel B (Nonstop Burst)

If Channel B has a value from 251 to 255, the machine will operate with Nonstop Burst (Continuous fogging). In this mode, the unit automatically adjusts itself and produces a large amount of fog. It requires no reheating period and produces fog continuously.

Function Priority

When Channel A is set to a value between 6 to 255 and Channel B is set between 251 to 255 at the same time, Channel B will override Channel A and the unit is in Nonstop Burst mode.

Addressing Example

If the unit is assigned to DMX address 124 e.g., Channel A corresponds to DMX address 124 and DMX address 125 will automatically be selected for Channel B.

The Antari fog machines M-5 & M-10 with on-board DMX conform to the following performance specifications:

1. Average Operating temperature=250°C
2. Continuous fog output is available by selecting "Nonstop Burst" under the Function sub-menu "Volume Out" or by setting the DMX address between 251-255 in channel B.

Bedienungsanleitung

Antari M-5 & M-10 Nebelgerät



Wir beglückwünschen Sie zum Kauf Ihres neuen
ANTARI NEBELGERÄTES.

► Einleitung

Vielen Dank, dass Sie sich für ein ANTARI Nebelgerät entschieden haben. Sie sind nun im Besitz eines robusten und leistungsstarken Nebelgerätes. Vor Benutzung des Gerätes bitte unbedingt diese Bedienungsanleitung sorgfältig lesen. Wenn Sie die Hinweise in dieser Bedienungsanleitung beachten, können Sie sich in den nächsten Jahren auf eine zuverlässige und überzeugende Leistung Ihres ANTARI Nebelgerätes freuen.

Bitte beachten Sie die folgenden Hinweise im Bezug auf Bedienung, Sicherheit und Wartung, um eine lange Lebensdauer und einen sicheren Betrieb Ihres Nebelgerätes sicherzustellen.

► ACHTUNG:

Stromschlaggefahr. Trennen Sie das Gerät vom Netz, bevor Sie die Abdeckung entfernen.

► Stromschlaggefahr

- Vor Nässe schützen.
- Nur innerhalb geschlossener Räume betreiben. Nicht für den Betrieb im Freien geeignet.
- Verwenden Sie bitte ausschließlich 3-adrige, geerdete Steckdosen. Vor Inbetriebnahme darauf achten, dass das Gerät an die richtige Spannung angeschlossen wird.
- Vor Befüllen des Tankes ist Ihr ANTARI Nebelgerät immer vom Netz zu trennen.
- Achten Sie darauf, dass das Nebelgerät stets aufrecht installiert ist.
- Wird das Gerät außer Betrieb genommen, ist das Gerät auszuschalten oder vom Netz zu trennen.
- Dieses Gerät ist nicht wasser- oder spritzwassergeschützt. Sollte Feuchtigkeit, Flüssigkeit oder Nebelfluid in das Geräteinnere eindringen, trennen Sie bitte das Nebelgerät sofort vom Netz und verständigen Sie einen Servicetechniker oder Ihren ANTARI-Händler, bevor Sie das Gerät wieder in Betrieb nehmen.

1. Ein Nebelgerät der M-Serie (M-5 oder M-10) mit Netzkabel
2. M-20 Multi-Funktionskabelfernbedienung mit 2 m Anschlusskabel
3. Bedienungsanleitung
4. Erhältliches Zubehör: Hängebügel mit Schrauben für M-5
5. Erhältliches Zubehör: Flight Case (FM-5 oder FM-10)

Wenn Ausrüstungsteile fehlen sollten, nehmen Sie bitte sofort mit Ihrem ANTARI-Händler Kontakt auf.

Bevor Sie mit der Inbetriebnahme Ihres ANTARI M-5 / M-10 Nebelgeräts beginnen, stellen Sie sicher, dass kein offensichtlicher Transportschaden vorliegt. Falls das Gehäuse der Einheit oder das Kabel beschädigt sein sollte, stecken Sie es nicht ans Netz an und versuchen Sie nicht, es zu benutzen,

► Inbetriebnahme

- Entfernen Sie jegliches Verpackungsmaterial vom Versandkarton. Vergewissern Sie sich, dass alle Schaumstoff- und Plastikeinlagen entfernt wird, insbesondere in der Nähe der Austrittsdüse.
- Installieren Sie das Nebelgerät auf einer ebenen Oberfläche und schrauben Sie den Deckel des Fluidtanks ab.
- Füllen Sie den Tank mit ANTARI Nebelflüssigkeit oder anderen hochwertigen Nebelfluids auf Wasserbasis. Alle anderen Fluidarten können Beschädigungen am Gerät zur Folge haben. Nach dem Befüllen verschließen Sie den Tank bitte wieder mit dem Deckel.
- Stecken sie das Fernbedienungskabel fest in die richtige Eingangsbuchse auf der Rückseite des Gerätes ein.

► Bedienung

- Füllen Sie vorsichtig Flüssigkeit in den Tank. Überfüllen Sie den Tank nicht.
- Stecken Sie den Netzstecker in eine geerdete Schukosteckdose ein. Wenn notwendig, schalten Sie den Netzschalter auf der Rückseite des Gerätes auf "ON". Die Aufheizzeit ist beendet, sobald die grüne Lampe auf der Fernbedienung aufleuchtet.
- Um den Nebelausstoß auszulösen, drücken Sie bitte den entsprechenden Knopf auf der Fernbedienung. Halten Sie den Knopf solange gedrückt, bis der gewünschte Ausstoß erreicht ist.
- Die Lampe auf der Fernbedienung wird in dem Maße an- und ausgehen, wie das Gerät wieder aufheizt, um die korrekte Betriebstemperatur zu erreichen.
- Weitere Informationen zum Betrieb Ihres ANTARI M-5 und M-10 Nebelgerätes finden Sie unter "Bedienung über eine Fernbedienung".
- Achten Sie bei der Installation darauf, dass der Nebel niemals direkt in das Gesicht Einer Person ausgestoßen wird und der Neigungswinkel niemals 25 Grad überschreitet.

Hinweis: Das Gerät besitzt einen Flüssigkeitsspiegel. Die Maschine stellt den Nebelbetreib ein, wenn der Pegel niedriger ist als es für den Betrieb nötig ist.

- Keine zu wartenden Teile im Geräteinnern. Wartungsarbeiten sind nur vom Ihrem ANTARI-Händler oder qualifizierten Servicetechnikern durchzuführen.

Brandgefahr

- Nur für Erwachsene. Das Nebelgerät muss außerhalb der Reichweite von Kindern installiert werden. Betreiben Sie das Gerät niemals unbeaufsichtigt.

- Richten Sie die Nebelaustrittsdüse niemals direkt auf Personen.

- Der Ausstoß des Nebelgerätes ist sehr heiß. Halten Sie während des Betriebes einen

- Sicherheitsabstand von ca. 60 cm zur Austrittsdüse ein.

Installieren Sie das Nebelgerät an einem gut belüfteten Ort. Niemals die

- Lüftungsschlitze verdecken. Um eine ausreichende Belüftung zu gewährleisten, halten Sie bitte einen Mindestabstand von 20 cm um und über dem Gerät ein.

- Richten Sie die Austrittsdüse niemals auf offene Flammen.

- Wenn die Versorgungsschnur beschädigt wird, muss sie vom Hersteller oder dem

- Kundendienst oder ähnlich qualifiziertem Personal ersetzt werden, um eine Gefahr zu vermeiden.

- Die Austrittsdüse wird während des Betriebes sehr heiß (200° C). Für leicht entflammbare Materialien muss ein Mindestabstand von 50 cm zur Austrittsdüse eingehalten werden.

- Lassen Sie Ihr ANTARI Nebelgerät vor Reinigungs- und Wartungsarbeiten abkühlen.

► Explosionsgefahr

- Mischen Sie niemals entzündliche Flüssigkeiten jeglicher Art (Öl, Gas, Duftstoffe) unter das Nebelfluid.

- Verwenden Sie ausschließlich hochwertige und von Ihrem Händler empfohlene nebelfluide auf Wasserbasis. Andere Nebelfluide können zum Verstopfen oder tropfen des Gerätes führen.

- Achten Sie unbedingt darauf, dass sich immer eine ausreichende Menge Nebelfluid im Tank befindet. Der Betrieb ohne Nebelfluid führt zu Pumpenschäden und zur Überhitzung des Heizelementes.

- Sollte Ihr ANTARI M-5 / M-10 Nebelgerät einmal nicht mehr ordnungsgemäß arbeiten, schalten Sie es bitte sofort ab. Entleeren Sie den Tank vollständig, verpacken Sie das

- Gerät sorgfältig (am besten in der Originalverpackung) und schicken Sie es bei Ihrem ANTARI-Händler ein.

- Entleeren Sie den Tank immer, bevor Sie das Gerät verschicken oder transportieren.

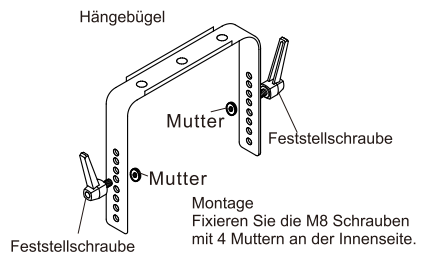
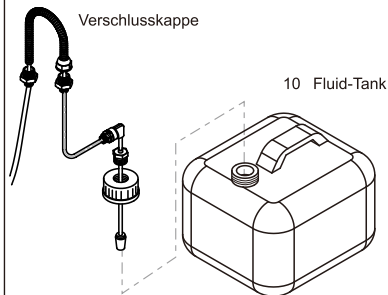
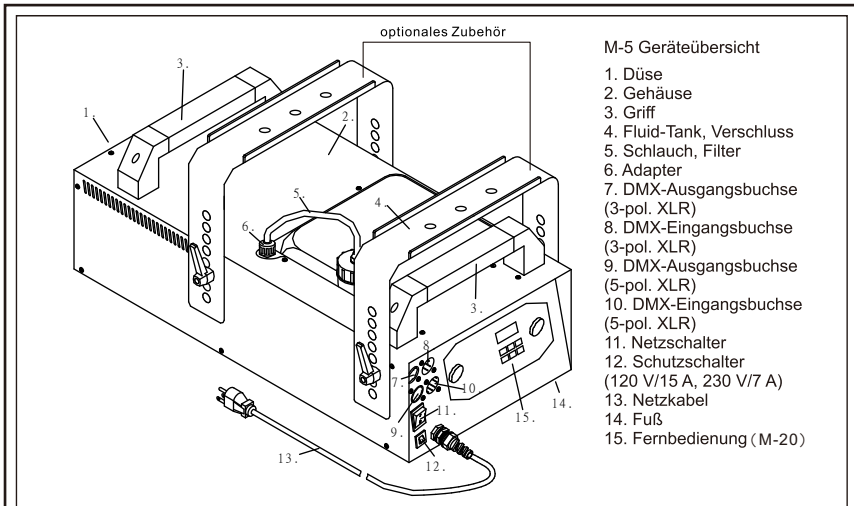
- Trinken Sie niemals Nebelfluid. Sollte es dennoch einmal verschluckt werden, konsultieren Sie bitte sofort einen Arzt. Sollte die Haut oder die Augen einmal mit Nebelfluid in Berührung kommen, bitte sorgfältig mit Wasser auswaschen.

Hinweis: Bitte beachten Sie alle auf dem Gehäuse Ihres ANTARI NEBELGERÄTES angebrachten Warnhinweise und Anweisungen.

Auspacken & auf Transportschäden untersuchen

Öffnen Sie den Außenkarton und stellen Sie sicher, dass alle Teile, die für den Betrieb des Systems notwendig sind, in einem einwandfreien Zustand eingetroffen sind. Der Versandkarton sollte folgendes enthalten:

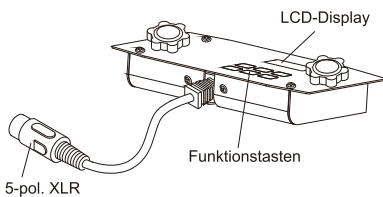
M-5 Geräteübersicht



M-5 FERNBEDIENUNG

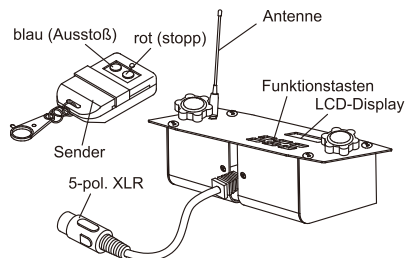
M-20

Kabellänge: 2 m
Stecker: 5-pol. XLR
Funktion: Timer mit Intervall, Dauer und Volumen,
DMX-Startadresse, Continuous-Betrieb, Manual On/Off

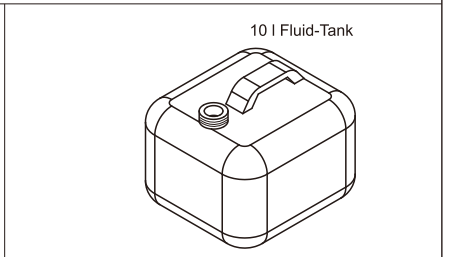
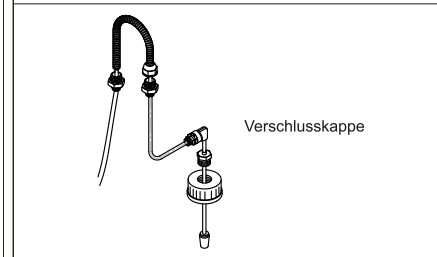
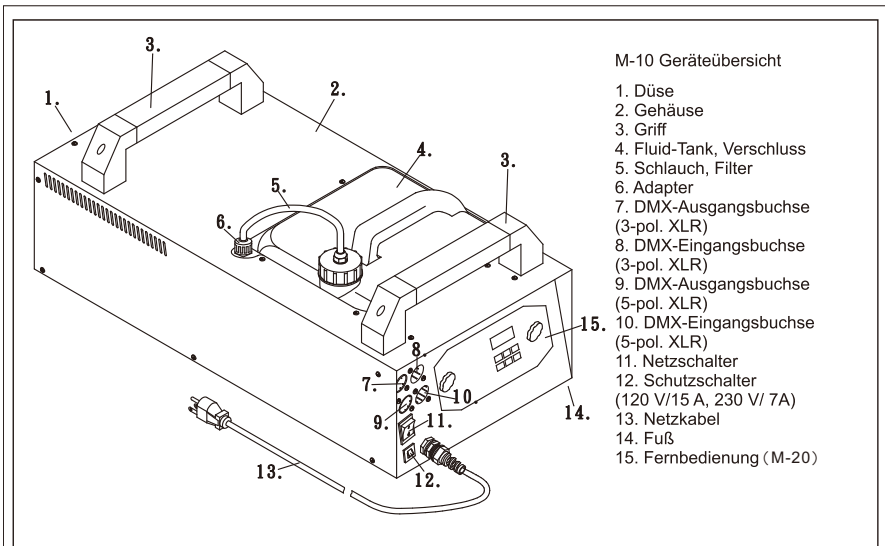


M-30(Funkfernbedienung)

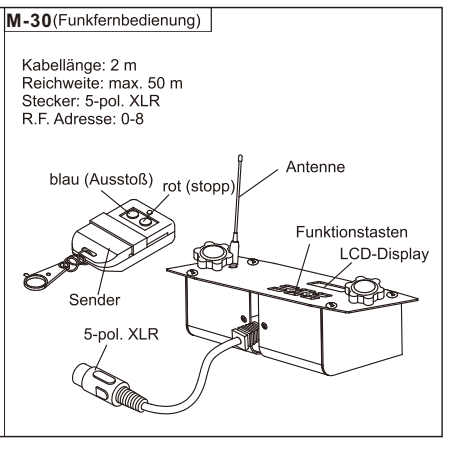
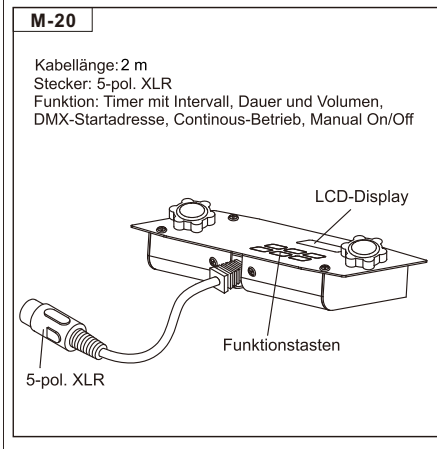
Kabellänge: 2 m
Reichweite: max. 50 m
Stecker: 5-pol. XLR
R.F. Adresse: 0-8



M-10 Geräteübersicht



M-10 FERNBEDIENUNG



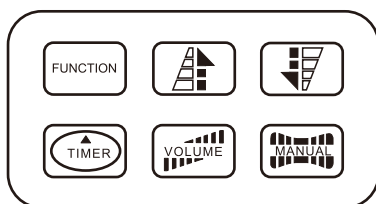
Sollten Sie einen verminderten Ausstoß, Pumpgeräusche oder überhaupt keinen Ausstoß feststellen, sofort vom Netz trennen. Kontrollieren Sie den Fluidstand, die externe Sicherung, den Anschluss zur Fernbedienung und die Stromversorgung. Sollte nach 30 Sekunden permanenten Drückens des Fernbedienungsknopfes immer noch kein Ausstoß erfolgen, überprüfen Sie bitte den Verbindungsschlauch zum Tank und vergewissern Sie sich, dass Fluid hindurchfließen kann. Wenn Sie die Ursache des Problems nicht feststellen können, drücken Sie bitte nicht weiter die Fernbedienungstaste, da dies zu Schäden am Gerät führen kann. Schicken Sie das Gerät bei Ihrem ANTARI-Händler ein.

► Technische Daten

Model	M-5	M-10
- Spannungsversorgung	USmodel:AC 100-120V,50/60Hz 12,5A EUmodel:AC 220-240V,50/60Hz 6,6A	EUmodel:AC 220-240V,50/60Hz 13A
- Gesamtanschlusswert	1500W	3000W
- Aufwärmzeit	8Minuten (ca.)	9,5Minuten (ca.)
- Fluidverbrauch	160ml/min	250ml/min
- Tankinhalt	10l (2,64gal)	10l (2,64gal)
- Kompatible Nebelflüssigkeit	Antari FLG Heavy Fog Nebelflüssigkeit Antari FLR Light Fog Nebelflüssigkeit	Antari FLG Heavy Fog Nebelflüssigkeit Antari FLR Light Fog Nebelflüssigkeit
- Umgebungstemperaturbereich	0°C -40 °C (32°F -104 °F)	0°C -40 °C (32°F -104 °F)
- Leistung	25.000ft ³ /min (708m ³ /min)	50.000ft ³ /min (1416m ³ /min)
- Steuerung	DMX, Timer, manuell Funk (optional)	DMX, Timer, manuell Funk (optional)
- DMX-Kanäle	1 Kanal	1 Kanal
- Anschluss	Neutrik Powercon (Power) XLR 3-pol und 5-pol (DMX)	Neutrik Powercon (Power) XLR 3-pol und 5-pol (DMX)
- Zubehör	M-30 Pro Funksteuerung FX-5 Flightcase M-5-HB Montagebügel	M-30 Pro Funksteuerung FX-5 Flightcase
- Maße	L668B320H276mm (L26,30W12,60H10,87inch)	L690B320H298mm (L26,30B12,60H10,87inch)
- Gewicht	15,5kg (34,17lbs)	21kg (46,30lbs)

Bedienung über eine Fernbedienung

M-20: Die M-20 ist eine Fernbedienung, mit der sich über ein 2 Meter-Kabel mit 5-poligem XLR-Stecker die ANTARI-Nebelgeräte M-5 und M-10 bedienen lassen. Die Schnittstelle der Fernbedienung ermöglicht persönliche Einstellungen bei Nebeldauer, Zeitabstand und Volumen. Das LCD Display zeigt die aktuellen Parameter an. Diese werden automatisch gespeichert, wodurch die Nebelmaschine abgeschaltet werden kann, ohne dass Einstellungen verloren gehen.



1. LCD-Display
 2. Function-Taste
 3. Up-/Down-Taste
 4. Timer-Taste
 5. Volume-Taste
 6. Manual-Taste
- >Interval Set
 -->Duration Set
 -->Timer Out
 -->Volume Out
 -->Nonstop Burst
 -->DMX 512 Add

Über die Function-Taste können Sie Einstellungen in den Menüs vornehmen. Unter den Menüpunkt "Interval Set" können Sie den Zeitabstand zwischen den Nebelausstoßen mit den Tasten Up/Down zwischen 1-255 Sekunden einstellen. Die Dauer jedes Nebelausstoßes lässt sich über die Tasten Up/Down unter dem Menüpunkt "Duration Set" zwischen 1 und 20 Sekunden einstellen. Unter den Menüpunkt "Timer Out" können Sie für die Timer-Funktion die Nebelausstoßmenge Mit den Tasten Up/Down bestimmen.

Unter den Menüpunkt "Volume Out" können Sie die Nebelausstoßmenge mit den Tasten Up/Down zwischen 1 und 100% einstellen. Wenn Sie die Taste Up bei einem Wert von 100% oder die Taste Down bei einem Wert von 1% betätigen, aktivieren Sie mit dem Menüpunkt "Non Stop Burst" die Dauernebelfunktion.

Unter den Menüpunkt "DMX 512 Add" können Sie mit den Tasten Up/Down die DMX-Startadresse einstellen.

2. Durch Drücken der Timer-Taste aktivieren Sie die Timer-Funktion. Auf dem Display erscheint das eingestellte Zeitintervall und das Gerät zählt die Sekunden rückwärts bis auf "0". Danach wird der Nebelausstoß gemäß den Einstellungen im Menüpunkt "Timer Out" ausgelöst. Die Nebeldauer richtet sich nach der Einstellung unter "Duration Set". Wenn Sie die Timer-Funktion deaktivieren wollen, drücken Sie erneut die Timer-Taste.

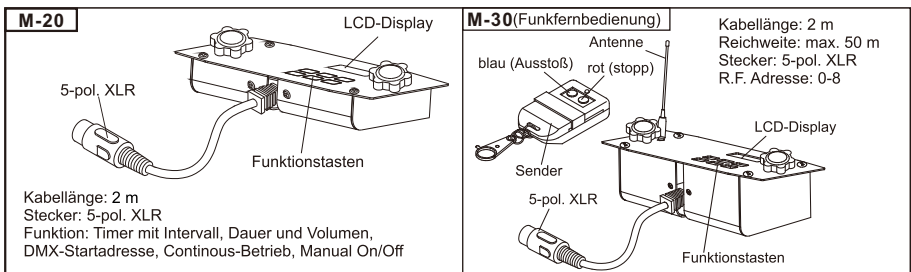
3. Durch Drücken der Volume-Taste wird der Nebelausstoß gemäß der Einstellungen unter dem Menüpunkt "Volume Out" sofort ausgelöst. Wenn Sie den Nebelausstoß stoppen wollen, drücken Sie erneut die Volume-Taste.

4. Durch gedrückthalten der Manual-Taste wird der Nebelausstoß sofort mit einer Nebelmenge von 100% ausgelöst. Diese Funktion hebt alle anderen Funktionen auf. Lassen Sie die Manual-Taste wieder los, wenn Sie den Nebelausstoß stoppen wollen.

*Simulationsbeispiel: Für einen Zeitabstand zwischen den Nebelausstoßen von 5 Sekunden, eine Nebeldauer von 10 Sekunden und ein Ausstoßvolumen von 40% mit der DMX-Adresse 3 gehen Sie wie folgt vor:

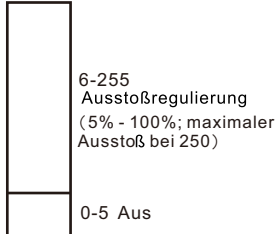
Taste Function-->Menü: "Interval Set"-->Taste Up bis 5 Sekunden-->Taste Function-->Menü: "Duration Set"-->Taste Up bis 10 Sekunden-->Taste Function-->Menü: "Timer Out"-->Taste Up bis 40%-->Taste Function-->Menü: "DMX 512 Add"-->Taste Up bis 3-->Taste Function-->Taste Timer

M-30: Die M-30 besitzt alle Funktionen der M-20. Zusätzlich ist ein drahtloser Betrieb bis zu einem Abstand von 50 Metern möglich. Die Adresse kann von 0 bis 8 eingestellt werden, d.h. es können insgesamt 9 Geräte separat oder in jeder Kombination gesteuert werden. Drücken Sie die Taste Function, um im RF Modus die gewünschte Adresse auszuwählen. Achten Sie darauf, dass die Adresse der M-30 mit den Einstellungen des Transmitters übereinstimmt. Es gibt zwei Tasten auf dem Transmitter. Mit der blauen Taste wird der Nebel ausgestoßen und mit der roten Taste wird der Betrieb gestoppt.

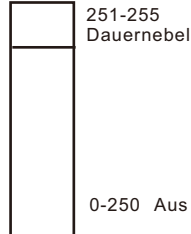


Antari M-5 & M-10 DMX-Einstellungen

Kanal A



Kanal B



Die Nebelgeräte M-5 und M-10 verfügen über DMX-Ansteuerung. Sie lassen sich über zwei DMX-Kanäle im Ausstoß regulieren. Kanal A bewegt sich innerhalb der DMX-Werte 0 bis 255 und Kanal B zwischen 251 bis 255. Timer-Funktionen wie Nebeldauer und Intervall können über den DMX-Controller oder die DMX-Steuerungssoftware programmiert werden.

Kanal A (Nebelausstoß)

Zwischen den Werten 0 und 5 von Steuerkanal A ist das Gerät aus. Zwischen den Werten 6 bis 255 wird der Nebelausstoß reguliert. Dabei bezieht sich der Wert 6 auf den minimalen Nebelausstoß und 255 auf den maximalen Nebelausstoß. Der Nebelausstoß steigt mit zunehmendem DMX-Wert.

Kanal B (Dauernebel)

Zwischen den Werten 251 und 255 von Steuerkanal B befindet sich das Gerät im Dauernebelmodus und läuft bei maximalem Nebelausstoß. In diesem Modus reguliert sich das Gerät automatisch und produziert eine große Menge Nebel. Dabei benötigt es keine erneuten Aufheizphasen und stößt konstant Nebel aus.

Funktionsvorrang

Wenn Steuerkanal A zwischen den Werten 6 bis 255 und gleichzeitig Steuerkanal B zwischen 251 bis 255 eingestellt ist, hat Steuerkanal B Vorrang und das Gerät befindet sich im Modus Dauernebel.

Beispiel für die Adressierung

Wird das Gerät z. B. auf die DMX-Startadresse 124 kodiert, entspricht Kanal A dieser DMX-Startadresse und Kanal B erhält automatisch die Startadresse 125.

Die Antari Nebelgeräte M-5 und M-10 verfügen über folgende Leistungsdaten:

1. Durchschnittliche Betriebstemperatur = 250°C
2. Für Dauernebel muss unter dem Menüpunkt "Volume Out" "Non Stop Burst" oder die DMX-Adresse zwischen 251 und 255 eingestellt sein.

► Hinweise zur Leistung

- Alle Nebelgeräte bilden um die Austrittsdüse Kondenswasser. Beachten Sie bitte bei der Installation, dass dies zu Flüssigkeitsansammlungen unterhalb der Austrittsdüse führen kann.
- Alle Nebelgeräte können während des Betriebes oder bis ca. 1 Minute nachdem das Gerät außer Betrieb genommen wurde, gelegentlich etwas Nebel ausstoßen.
- Gerät außer Betrieb genommen wurde, gelegentlich etwas Nebel ausstoßen.
- Alle Nebelgeräte benötigen nach längerem Dauerbetrieb Betriebspausen, um wieder auf die korrekte Betriebstemperatur zu kommen. Während diesen Pausen ist kein Nebelausstoß möglich.

► Wartung & Lagerung

Achten Sie darauf, dass das Nebelfluid nicht verunreinigt wird. Setzen Sie sofort nach Befüllen des Tanks den Deckel des Tanks sowie des Kanister wieder auf. Betreiben Sie Ihr Nebelgerät nie ohne Flüssigkeit.

Reinigen Sie das Gerät nur mit einem trockenen Tuch. Trocken lagern.

Reinigen Sie Ihr Nebelgerät regelmäßig, um teure Ersatzteile und hohe Reparaturkosten zu sparen.

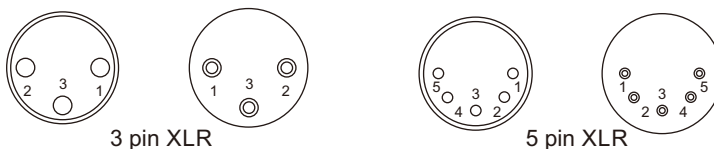
Bitte beachten Sie:

Alle Nebelgeräte sind aufgrund der Dickflüssigkeit des Nebelfluids und der hohen Verdampfungstemperatur anfällig für Verstopfungen. Nichtsdestotrotz sollte ein regelmäßig gewartetes Nebelgerät Ihnen jahrelang treue Dienste leisten.

Wir empfehlen Ihnen monatlich an der Maschine einen Testlauf durchzuführen, der aus einer Aufwärmzeit besteht und einigen Minuten Nebelausstoß.

► Configuration de la connexion DMX

La machine possède fiches XLR 3 pôles et 5 pôles pour connecter un contrôleur DMX. Le graphique ci-dessous montre la configuration des fiches.



Contact	Fonction
1	Masse
2	Signal-
3	Signal+

Bitte bewahren Sie diese Anleitung gut auf.

garantir une aération suffisante, laissez un espace libre de 20 cm tout autour de l'appareil.

- Ne jamais braquer le bec de la machine sur des flammes.
- Le bec de la machine devient très chaud (200° C) pendant son fonctionnement.
- Respectez une distance minimum de 50 cm entre le bec de la machine et les matériaux inflammables.
- Laissez refroidir la machine à fumée ANTARI avant toute manipulation.

Risques d'explosion

- Ne jamais mélanger des liquides inflammables gazeux ou huileux avec le liquide à fumée.
- Employez uniquement des liquides à fumée de haute qualité à base d'eau recommandée par votre revendeur. D'autres liquides à fumée pourraient causer des problèmes d'encrassement ou des crachotements.
- Faites attention qu'il y ait toujours suffisamment de liquide à fumée dans le réservoir.
- Un emploi sans liquide pourrait endommager la pompe ou provoquer la surchauffe de l'élément de chauffage.
- Si votre machine à fumée ANTARI ne devait plus fonctionner correctement, éteignez la immédiatement. Videz complètement le réservoir, emballez-la soigneusement (au mieux dans son emballage d'origine) et l'envoyez-la à votre revendeur ANTARI.
- Toujours vider le réservoir avant d'envoyer ou transporter l'appareil.
- Ne jamais avaler le liquide à fumée. Si c'était tout de même le cas, consultez un médecin immédiatement. En cas de contact avec la peau ou les yeux, rincer à grande eau.
- Remarque: Veuillez suivre toute instruction de sécurité appliquée sur le boîtier de votre machine à fumée ANTARI.

► Déballage & inspection

Ouvrez le carton extérieur et assurez-vous que toutes les pièces n'aient subi aucun dommage durant leur transport. Assurez-vous que le carton d'expédition contient les articles suivants:

1. Une unité de machine de brouillard de la Série M (M-5 ou M-10) et câble secteur
2. M-20 télécommande avec câble (2 m)
3. Mode d'emploi
4. Accessoire optionnel: Lyre de fixation avec vis pour l'M-5
5. Accessoire optionnel: Flight case (FM-5 ou FM-10)

En cas de livraison endommagée ou incomplète, toujours contactez immédiatement Votre revendeur ANTARI.

► Installation

- Enlevez tout matériau d'emballage. Assurez-vous d'avoir enlevé toute la mousse et le rembourrage en plastique, surtout au bec de la machine.
- Placez la machine à fumée sur une surface plane et dévissez le couvercle du réservoir. Du liquide à fumée.
- Remplissez le réservoir de liquide à fumée ANTARI ou d'un autre liquide à fumée de Haute qualité à base d'eau. Refermez le réservoir.
- Connectez le câble de la télécommande à la douille d'entrée correspondante de la machine à fumée qui est située au dos de l'appareil.

Mode d'emploi

Antari M-5 & M-10 machine à fumée



Nous vous félicitons pour l'achat de votre nouvelle machine à fumée ANTARI.

► Introduction

Nous vous remercions d'avoir choisi une machine à fumée ANTARI. Vous êtes en possession d'un produit robuste et puissant. En vue d'utiliser correctement votre nouvel appareil, veuillez lire attentivement ce mode d'emploi. Si vous respectez les instructions suivantes, vous profiterez d'une performance solide et convaincante de votre machine à fumée ANTARI pour de nombreuses années.

Pour assurer la longévité et le bon fonctionnement de votre machine à fumée, veuillez lire attentivement les instructions suivantes concernant le maniement, la sécurité et l'entretien.

► Risques d'électrocution

- Risque de décharge électrique. Démontez l'approvisionnement électrique de l'appareil avant de retirer la couverture.
- Protéger de l'humidité.
- L'appareil a été conçu pour un emploi dans des locaux clos. Ne pas utiliser à l'extérieur. Pour les modèles de 110V, utilisez uniquement des prises de courant à terre à 3 broches. Avant la première mise en marche, assurez vous que l'appareil soit branché à l'alimentation correcte.
- Débranchez l'appareil avant de remplir le réservoir.
- Assurez vous d'installer la machine à fumée toujours droit.
- Eteignez l'appareil ou débranchez-le du secteur, quand il est hors d'usage.
- Si de l'humidité, du liquide ou du liquide à fumée devait pénétrer à l'intérieur de l'appareil, débranchez le immédiatement et contactez un technicien ou votre revendeur ANTARI avant de le réutiliser.
- A l'intérieur de l'appareil, il n'y a aucune partie qui ait besoin d'être révisée. Les travaux d'entretien sont à faire effectuer par votre revendeur ANTARI ou par des Spécialistes.

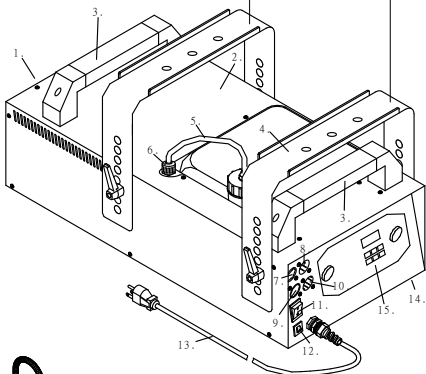
► Danger d'incendie

- L'usage de cet appareil n'est prévu que pour les adultes. Installez le hors de portée des enfants. Ne jamais faire marcher sans surveillance.
- Ne jamais braquer le bec de l'appareil directement sur des personnes.
- Le débit de la machine à fumée est très chaud. Pendant que la machine est en marche, Respectez une distance d'environ 60 cm vis-à-vis son bec.
- Installez l'appareil à un endroit bien aéré. Ne jamais couvrir les orifices d'aération.
- Pour garantir une aération suffisante, laissez un espace libre de 20 cm tout autour de l'appareil.

► Maniement

- Branchez la fiche d'alimentation de la machine à fumée dans une prise de courant avec terre. Mettez le commutateur d'alimentation à l'arrière de l'appareil en mode "ON". Le temps de préchauffage est terminé, dès que l'indicateur lumineux vert de la télécommande s'allume.
- erre. Mettez le commutateur d'alimentation à l'arrière de l'appareil en mode "ON". Le temps de préchauffage est terminé, dès que l'indicateur lumineux vert de la télécommande s'allume.
- Pour déclencher le jet de fumée, pressez le bouton correspondant de la télécommande. Continuez à appuyer sur le bouton jusqu'à ce que le débit désiré soit atteint.
- L'indicateur lumineux sur la télécommande s'éteint chaque fois que la machine rechauffe pour atteindre la température de fonctionnement nécessaire.
- Pour des informations complémentaires concernant le maniement de votre machine à Fumée ANTARI, voir la partie intitulée "Maniement avec télécommande".

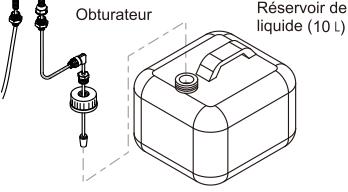
M-5 Description



Accessoire optionnel

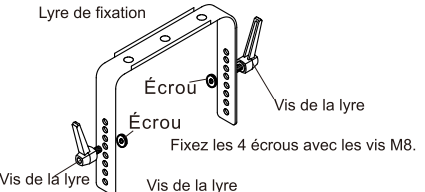
M-5 Description

1. Tuyère
2. Boîtier
3. Bras
4. Réservoir, Obturateur
5. Tuyau, Filtre
6. Adaptateur
7. Sortie DMX (XLR 3 pôles)
8. Entrée DMX (XLR 3 pôles)
9. Sortie DMX (XLR 5 pôles)
10. Entrée DMX (XLR 5 pôles)
11. Interrupteur secteur
12. Coupe-circuit (120 V/15 A, 230 V/7A)
13. Câble d'alimentation
14. Pied
15. Télécommande (M-20)



Obturateur

Réservoir de liquide (10 L)



Lyre de fixation

Écrou

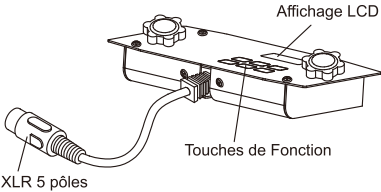
Vis de la lyre

Fixez les 4 écrous avec les vis M8.

Vis de la lyre

M-20

Longueur de câble: 2 m
Fiche: XLR 5 pôles
Fonction: Timer avec Intervalle, Durée et Volume,
Adresse DMX, Continuous Fogging, Manual On/Off



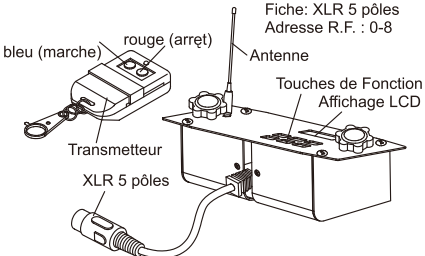
Affichage LCD

Touches de Fonction

XLR 5 pôles

M-30 (sans fil)

Longueur de câble: 2 m
Portée: max. 50 m
Fiche: XLR 5 pôles
Adresse R.F. : 0-8



bleu (marche) rouge (arrêt)

Antenne

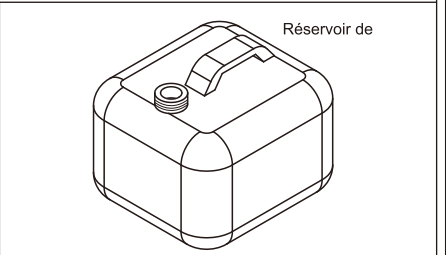
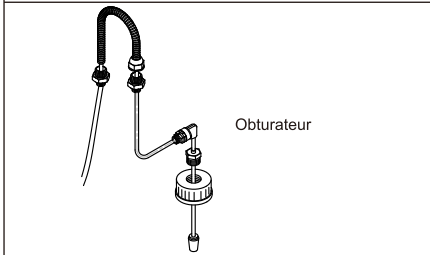
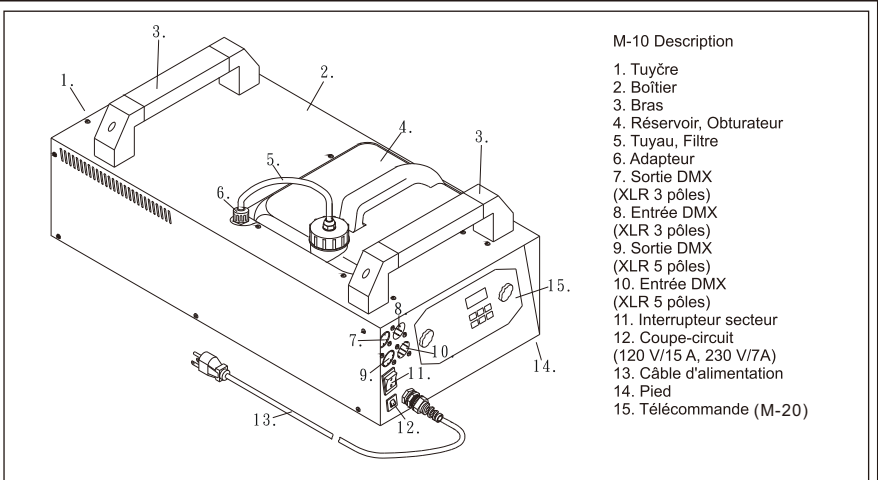
Touches de Fonction

Affichage LCD

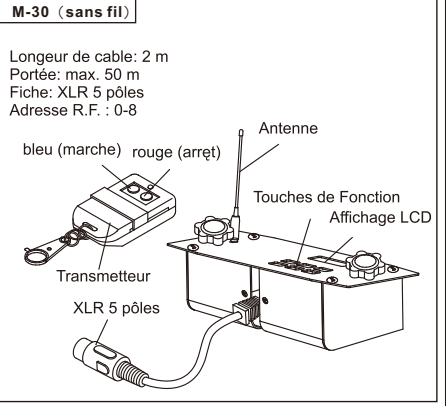
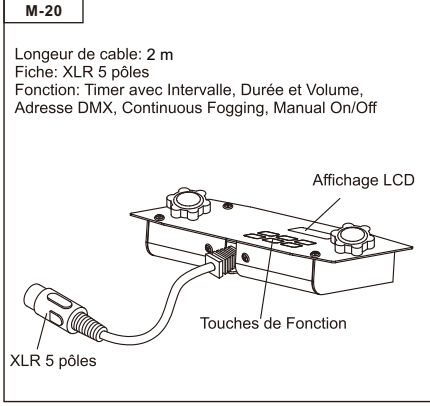
Transmetteur

XLR 5 pôles

M-10 Description



M-5 TELECOMMANDE



Important: Surveillez toujours le niveau de liquide à fumée dans le réservoir pendant les jets de fumée. Un emploi sans liquide à fumée peut endommager la machine.

Si vous constatez un débit trop faible, un bruit de la pompe ou un manque total de fumée, débranchez immédiatement votre machine. Vérifiez le niveau de liquide, le fusible t 30

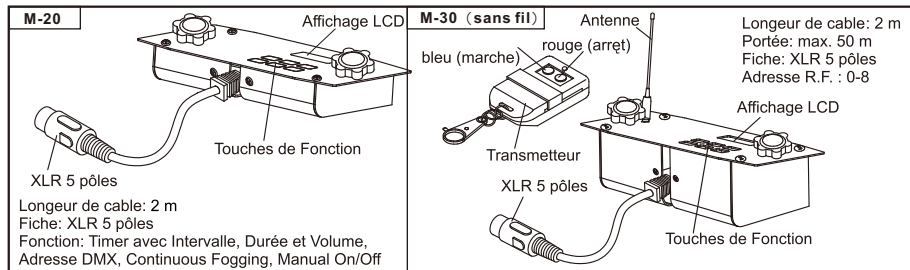
Burst". Avec le menu "DMX 512 Add" vous pouvez ajuster l'adresse initiale DMX, en utilisant les touches Up/Down. Pour ajuster le adresse initiale DMX utilisez la commande Function pour sélectionner l'menu "DMX 512 Add".

2. Appuyez sur la commande Timer pour activer la fonction du temps. L'affichage montre alors l'intervalle ajusté et l'appareil compte les secondes à partir de "0". Ensuite, la sortie de fume est déclenchée au volume ajusté sous l'menu "Timer Out". La durée dépend des réglages ajustés sous le menu "Duration Set". Si vous souhaitez désactiver la fonction du temps, appuyer à nouveau dessus.

3. Appuyez sur la commande Volume pour déclencher immédiatement le jet de fume au debit ajusté sous le menu "Volume Set". Appuyez à nouveau pour arrêter le jet de fume.

4. Appuyez sur la commande Manual pour déclencher immédiatement le jet de fume avec un volume de 100%. Cette fonction annule tous les autre fonctions. Retirez votre doigt de la commande Manual, d'arrêter le jet de fume.

M-30: A les memes caractéristiques que la M-20, mais a la faculté d'être sans fil. L'utilisation sans fil est possible jusqu'à une distance de 50 m. L'adresse peut être réglée de 0 à 8, ce qui veut dire que 9 unités différentes peuvent être contrôlées séparément ou simultanément. Appuyer sur FUNCTION pour lire le mode RF afin de sélectionner le numéro de l'adresse désirée. S'assurer que le réglage de l'adresse sur la télécommande M-30 correspond à au réglage de l'adresse de l' émetteur. Il y a deux boutons sur l' émetteur, le bleu pour émettre la fume, et le rouge pour stopper l'utilisation.



▣ Remarques de fonctionnement

Toutes machines à fumée dégagent une condensation autour de son bec de sortie qui pourrait mener à une accumulation d'humidité au-dessus de l'appareil. Prenez cela en considération lors du choix de l'emplacement de votre appareil.

Pendant son fonctionnement ou quelque temps après, il se peut de temps à autre qu'une machine à fumée débite spontanément de la fumée.

Après une utilisation continue toutes machine à fumée a besoin de pauses de fonctionnement pour garder une température correcte. Pendant ce temps-là, aucune fumée ne peut être produite et la DEL verte "READY" sur la télécommande sera éteinte. Elle s'allumera quand la machine sera de nouveau prête à l'emploi.

fumée ne peut être produite et la DEL verte "READY" sur la télécommande sera éteinte. Elle s'allumera quand la machine sera de nouveau prête à l'emploi.

secondes, vérifiez si le liquide passe par le disperseur qui est attaché au réservoir. Si vous n'arrivez pas à déterminer la cause du problème, ne continuez pas à presser le bouton de la télécommande. Cela pourrait endommager votre machine. Retournez la machine à votre revendeur ANTARI.

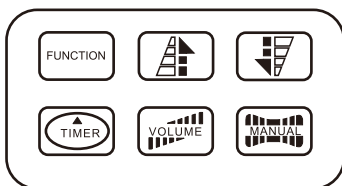
externe, la connection à la télécommande et l'alimentation au secteur. Si tout apparaît être correct, branchez de nouveau. S'il n'y a aucune production de fumée après que vous avez pressé le bouton de la télécommande pendant 30 secondes, vérifiez si le liquide passe par le disperseur qui est attaché au réservoir. Si vous n'arrivez pas à déterminer la cause du problème, ne continuez pas à presser le bouton de la télécommande. Cela pourrait endommager votre machine. Retournez la machine à votre revendeur ANTARI.

► Caractéristiques Techniques

Modèle	M-5	M-10
- Alimentation	USmodel:AC 100-120V,50/60Hz 12.5A EUmodel:AC220-240V,50/60Hz 6.6A	EUmodel:AC220-240V,50/60Hz 13A
- Puissance de rendement	1500W	3000W
- Temps de chauffage	env. 8 m³/min.	env. 9,5 m³/min.
- Consommation de liquide	160 ml/min	250 ml/min
- Contenu du réservoir	10l (2.64 gal)	10l (2.64 gal)
- Liquide compatible	Antari FLG Heavy Fog Fluid Antari FLR Light Fog Fluid	Antari FLG Heavy Fog Fluid Antari FLR Light Fog Fluid
- Température ambiante	0°C-40 °C (32°F-104 °F)	0°C-40 °C (32°F-104 °F)
- Volume d'émission	25,000 ft³/min (708 m³/min)	50,000 ft³/min (1416 m³/min)
- Contrôle	DMX, timer, manuellement Sans fil (facultatif)	DMX, timer, manuellement Sans fil (facultatif)
- Caneaux DMX	1 canal	1 canal
- Connexion	Neutrik Powercon (alimentation) XLR 3 pôles et 5 pôles (DMX)	Neutrik Powercon (alimentation) XLR 3 pôles et 5 pôles (DMX)
- Accessoires	M-30 Pro Télécommandes sans fil FX-5 Flightcase	M-30 Pro Télécommandes sans fil FX-5 Flightcase
- Dimensions	M-5-HB Lyre de fixation L668I320H276mm (L26.30I12.60H10.87inch)	L690I320H298mm (L27.17I12.60H11.73inch)
- Poids	15.5kg (34.17lbs)	21kg (46.30lbs)

► Maniement avec télécommande

M-20: La télécommande multifonction M-20 est reliée à un cordon de 2 m, et est composée de 5 broches XLR, et peut être connectée aux différents modèles de machines à fume M-5 et M-10. Son interface permet à l'opérateur d'adapter des fonctions aux besoins du client de machine de brouillard en ajustant la durée, l'intervalle et le volume de ternissement. Son affichage à cristaux liquides montre les paramètres d'emploi courants, qui sont automatiquement stockés dans la mémoire non-volatile, permettant à la machine d'être mise hors tension sans arrangements perdants de fonction.



1. Affichage LCD
 2. Touche Function
 3. Touche Up/Down
 4. Touche Timer
 5. Touche Volume
 6. Touche Manual
- >Interval Set
-->Duration Set
-->Timer Out
-->Volume Out
-->Nonstop Burst
-->DMX 512 Add

Grâce à la touche "function", il est possible d'ajuster les réglages desirés. Appuyez sur la commande Function pour sélectionner le menu désiré. Avec le menu "Interval Set" vous pouvez ajuster le réglage des intervalles de temps entre 1 et 255 secondes avec les touches Up/Down. Avec le menu "Interval Set" vous pouvez ajuster la durée entre 1 et 20 secondes avec les touches Up/Down. Avec le menu "Volume Out" vous pouvez ajuster le réglage du débit de fume avec les touches Up/Down entre 1% et 100%. Quand vous appuyez sur la touche U avec un valeur de 100 % ou la touche Down avec un valeur de 1 %, vous activez la fonction fumée constante avec le menu "Non Stop

► Maintien & l'Entreposage

Faites toujours attention de ne pas polluer le liquide à fumée. Après l'avoir rempli de liquide à fumée, refermez toujours immédiatement les couvercles du bidon de liquide et du réservoir de la machine.

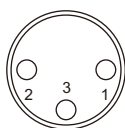
Nettoyez le boîtier de la machine seulement avec un chiffon sec. L'appareil est à stocker au sec. Un nettoyage régulier de votre machine à fumée aidera à éviter les réparations ou le remplacement de parties.

Remarque: Dû à la consistance visqueuse du liquide à fumée et à la haute température avec laquelle la fumée s'évapore, toutes les machines à fumée ont tendance à encrasser. Le maintien régulier de la machine aranti cependant son usage solide pour de nombreuses années.

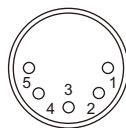
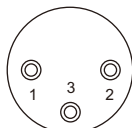
Il est recommandé de tester la machine mensuellement. C'est consiste en un temps de chauffage et un débit de brouillard de quelques minutes. Puis Laissez-la refroidir.

► Belegung der DMX-Anschlüsse

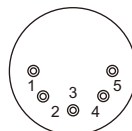
Die Maschine verfügt über 3-polige und 5-polige XLR-Anschlüsse für den Anschluss an einen DMX-Controller. Die nachfolgende Grafik zeigt die Belegung der Buchsen.



3 pin XLR



5 pin XLR



Kontakt	Funktion
1	Masse
2	Signal-
3	Signal+

Lisez et gardez ces instruction.

Antari M-5 & M-10 réglages DMX

Canal A



6-255
Réglage du débit de fumée (
5% - 100%; débit de fumée
maximal: 250)

0-5 Arrêt

Canal B



251-255
Débit de fumée
constant

0-250 Arrêt

Les machines à fumée M-5 et M-10 possèdent un contrôle DMX. Tous les deux modèles peuvent être réglés par deux canaux DMX en ce qui concerne le débit de fumée. Canal A varie entre les valeurs DMX 0 à 255 et canal B entre 251 à 255. Des fonctions Timer comme la durée de fumée et intervalle peuvent être programmés par le contrôleur DMX ou par le logiciel DMX.

Canal A (Réglage du débit)

Entre les valeurs 0 et 5 du canal de contrôle A, la machine est en arrêt. Le débit de fumée est réglé entre les valeurs 6 à 255. Dans ce contexte, la valeur 6 concerne le débit de fumée minimal et 255 concerne le débit de fumée maximal. Le débit de fumée augmente avec une valeur DMX croissante.

Canal B (Fumée constante)

Entre les valeurs 251 et 255 du canal de contrôle B, l'appareil se trouve en mode fumée constante et fonctionne avec un débit de fumée maximal. En ce mode, l'appareil s'ajuste automatiquement et produit une grande quantité de brouillard. Il n'a pas besoin de un temps de chauffage et produit le brouillard continuellement.

Priorité de Fonction

Si les valeurs de canal A sont réglé entre 6 et 255 et les valeurs de canal B sont réglé de 251 à 255 au même temps, le canal B abroge le canal A et l'appareil se trouve en mode fumée constante..

Exemple pour le codage de l'adresse initiale DMX

Si la machine était codée sur l'adresse initiale DMX 124, pour exemple, le canal A correspond exactement à cette adresse initiale DMX et l'adresse 125 va sélectionner automatiquement pour le canal B.

En général, les machines M-5 et M-10 Antari contrôlés par DMX ont les données de puissance suivantes:

1. Température de fonctionnement moyenne = 250°C
2. Pour fumée constant, vous devez choisir Volume Out, "Non Stop Burst" ou un adresse DMX entre 251 et 255.

使用說明書

歡迎您成為 Antari M-5 & M-10 專業煙霧機的使用者。



感謝您選用 Antari 專業煙霧機，在開始使用這部專業煙霧機之前，我們建議您先仔細閱讀說明書，依照使用說明書中的說明，讓您在使用 Antari 專業煙霧機時非常安全，輕易的達到最滿意的煙霧效果，也使得機器的使用壽命更為延長。

注意事項：

請在連結電源之前，先填裝好煙霧油，機器使用完畢及搬運前，請先確認清空煙霧油桶。

▶ 避免觸電的安全使用方式：

- 請保持機器乾燥。
- 使用前請小心判定電壓伏特數，如果使用所有規格的機種並應配合接地型插座使用。
- 填充煙霧油至油桶內時，請先拔掉插頭。
- 請保持機器橫放，勿傾斜放置。
- 不使用時請關機，長時間不使用時請拔掉插頭。
- 本產品之設計為不防水，遇潮濕或浸水或煙霧油滲出時請即刻拔掉插頭並擦乾，在下次使用前，聯絡技術人員或 Antari 的代理商檢修。
- 本包裝中未附服務零件，敬請聯繫 Antari 代理商，或洽詢合格技術人員。

▶ 避免燃燒的安全使用方式：

- 機器內部並無一般使用者可變動之結構，請勿任意打開上蓋及做任何更改的動作，否則可能造成起火的危險！
- 機器僅限成人使用，安裝煙霧機之地點應避免兒童可觸及之出，請於外出離去時關閉電源。
- 請勿將機器噴嘴對著人體及動物直射。
- 煙霧機所產生的煙霧溫度較高，機器運作時，請遠離噴嘴60CM以上。
- 請將煙霧機放置於通風良好的地方，請勿遮蓋機器散熱部分，為確保適度通風，機器的上方及周圍請預留20CM空間。
- 請勿將機器噴嘴對準火焰。
- 當機器運作時，噴嘴輸出部分之溫度高達攝氏200度，請將任何物品放置離機器50CM之內。
- 清潔、從事維護及收納機器時，請先確認機器已經完全冷卻。

▶ 避免爆炸的安全使用方式：

- 請勿將任何可燃性液體(例如油脂，瓦斯，香水)，放置於煙霧油槽中，並請使用前詳細閱讀說明書。
- 請使用代理商所推薦的 Antari 高品質水性煙霧油，任意使用其他煙霧油產品，可能導致堵管現象甚至造成內部零件腐蝕。
- 請確認煙霧油槽中有足夠的煙霧油，以免造成煙霧機幫浦空轉，機器溫升。
- 若您的 Antari 機器有任何不當運轉情況時，請即刻停止使用，倒出煙霧油並擦拭乾淨，機器冷卻後，仔細包好本產品(建議以原包裝)送至代理商或經銷商處維修。請記得在運送或郵寄本產品前，確定完全傾倒出所有在油桶中的煙霧油。

- 煙霧油不能飲用，誤飲時，如有任何不適請立即就醫，若不甚接觸眼睛，請即刻以清水沖洗。

建議：在使用本機之前，詳細的閱讀一次印刷在機器上蓋板及後背板的警語標示。

▶ 拆除包裝及檢視機器

請打開包裝確認機器運作的**所有**設備齊全，請參考配置圖，確認您所購買的機型應包括之項目，倘若有缺少任何項目，請即刻聯絡 **Antari** 經銷商。機器出廠時應包含以下物件：

- 1.M-5 或 M-10 煙霧機一部
- 2.電源線一條
- 3.M-20多功能控制器附含連結線一套
- 4.吊架及螺絲包一組(M-5選配)
- 5.使用說明書一份
- 6.FM-5飛行箱選擇性配備，非標準配備，如選購則機器放置在飛行箱內出貨。

在開始安裝機器之前，請先確認本產品未因運送過程造成外部的損壞，若機器外殼、控制器或電源線有任何損壞，請勿插上插頭，並請勿使用，馬上與 **Antari** 代理商或經銷商聯繫。

▶ 安裝機器

- 1.拆開包裝，小心的移除所有的PE墊片，特別是機器噴嘴的部分。
- 2.將煙霧機平放，取下裝置煙霧油容器的蓋子。
- 3.注入 **Antari** FLR 或 FLG 煙霧油至八分滿，並仔細蓋上油蓋。
- 4.在機器後方將 M-20 控制器線插入正確的位置，並確定連結。

▶ 操作機器

- 將電源線插在有接地的插座上，再將機器後方之電源開關打開至“ON”，溫機直至控制器上顯示螢幕正確的顯示“Ready to Fog”(噴煙準備就緒)為止。
- 設定M-20控制器上適當的按鍵以調整需要的噴煙時間、煙量大小及噴煙間距。
- 控制器上的顯示螢幕會依機器運轉溫度循環顯示“Warming up”(加溫準備)以及“Ready to Fog”(準備就緒)。
- 機器的保固是以一天8小時操作為計算單位，超負荷使用可能會造成機器壽命的減短。
- 更進一步的M-5及M-10煙霧機操作資訊，請參考M-20控制器操作說明。M-5及M-10機型屬於高功率的大瓦數專業用煙霧機，操作時適宜平穩放置，如因特殊需要而傾斜時，請加以完全的固定方式，傾斜的角度以不超過 35 度為宜。

▶ 其他重要注意事項：

M-5 及 M-10 專業煙霧機均裝置有幫浦溫度感知器，當桶內無油時機器幫浦會自動停止運轉等溫度降低後會自動恢復，但請隨時注意以確保煙霧油桶在機器運轉時有足夠的煙霧油。

若機器運轉時已無任何煙霧油，仍強制啟動機器運轉可能會造成機器永久損壞。

倘若發生煙霧量過少、機器運轉時產生噪音或無法順暢噴煙的動作，請立即拔掉插頭，檢查是否有足夠的煙霧油、外部保險絲、控制器連結、電源等處，若以上皆無問題，再插上插頭，若持續無法正常運作，請檢查連結煙霧油桶的管子是否通暢，有無液體流通，若無法辨識原因，請勿繼續讓機器運轉，以免損壞機器，應即關機冷卻，並將機器送至 **Antari** 代理商或指定的服務處檢視。

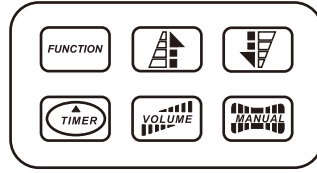
▶ M-20 液晶螢幕控制器：

適用於 **Antari** M-5 與 M-10 煙霧機型，控制器線長度 2M，採用 5 PIN XLR 連接頭，是智慧型控制器，使用者可隨需要設定煙霧機運轉功能，只需操作面板按鈕就可以輕易設定

噴煙時間、噴煙間隔及煙霧輸出量並儲存在內部記憶體內，使得機器即使關機也能在下次開機後保存前一次的設定紀錄。

其液晶顯示面板，會顯示機器目前運作的情況，控制器面板有六個功能鍵說明如下：

1. LCD-Display 液晶顯示器
2. Function-Key 功能鍵
3. Up/Down Key 上/下鍵
4. Timer-Key 計時器鍵
5. Volume-Switch 定量開關
6. Manual-Key 手動開關



1. FUNCTION 功能鍵：

按 Function 鍵一次，LED 螢幕會出現 Interval Set 字樣，在此表單功能下，可利用UP/DOWN 上下鍵來調整在 Timer 計時器功能模式下，煙霧輸出的間隔時間，設定可於1至200秒之間。按 Function 鍵兩次，LED 螢幕則會出現 Duration Set 字樣，在此表單功能下，可利用UP/DOWN 上下鍵來調整在Timer計時器功能模式下煙霧持續輸出的時間，設定同樣可介於1至200秒之間。按Function鍵三次，LED螢幕會出現Timer Out字樣，在此功能下，可利用 UP/DOWN 上下鍵來調整Timer計時器功能模式下，煙霧輸出量，設定可由1至100%做線性的調整。按Function鍵四次，LED 螢幕會出現 Volume Out 字樣，在此表單功能下，可利用 UP/DOWN 上下鍵來調整 Volume定量模式輸出時的煙量，同樣地設定可以做1至100%的線性調整。在輸出量1和100%的設定之間，可以選擇 Nonstop Burst，在此模式下，煙霧機會自動調整適當的煙量，而不需要停下動作加熱，來提供不間斷的煙霧輸出。按 Function 鍵五次，LED螢幕會出現 DMX Add 字樣，在此表單功能下，可利用UP/DOWN 上下鍵來設定DMX控制器的位址。

2. TIMER 計時功能鍵：

按 Timer 鍵一次，煙霧機進入計時器工作模式，會依照設定好的間隔時間，持續時間和輸出來輸出煙霧。再按 Timer 鍵一次，即可取消計時器功能。

3. VOLUME 設定輸出量大小：

按 Volume 鍵一次，煙霧機進入定量工作模式，會依照設定好的煙量做輸出。再Volume鍵一次，即可取消定量輸出功能煙霧輸出量。

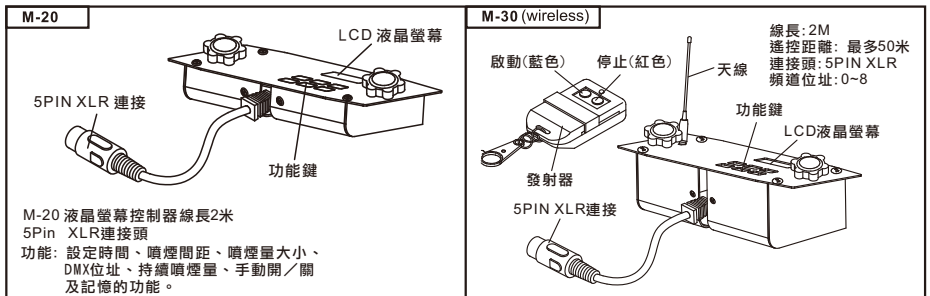
4. 最後Function 功能鍵會出現DMX Add，表示連結DMX控制器的位址，也是利用UP/DOWN上下鍵設定機器與 DMX 控台的相同位址。

5. 按住Manual鍵，煙霧機會做 100% 的煙量輸出。鬆開 Manual 鍵，即可停止煙霧輸出的動作。

▶ M-30 無線控制器：

M-30無線控制器所有功能和操作方式都和 M-20 控制器相同，再加上無線遙控的功能，在無障礙空間下能達到遙控距離 50 米。

控制器內建一個指撥開關，位址可以設定在0~8 (全部不撥為0，出廠時設定在0) 最多9個不同工作頻道，來迎合多組煙霧機同時控制的需求。

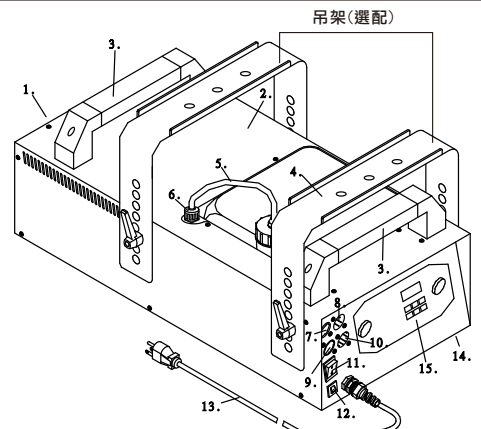


▶ 其他注意事項：

煙霧機在使用一段時間後，噴嘴附近會有一些灰色沉澱物質，是因為煙霧油經過熱交換而產生的自然現象，只要將他擦乾淨即可，如發現噴嘴附近有黑色濃稠的沉澱物時，請檢視所用的煙霧油，是否為成分不良品，並請停止使用，以維護機器使用壽命。

所有的煙霧機可能因為使用不同煙霧油之濃度及長期加熱高溫蒸發造成阻塞，使用好品質的煙霧油，定期的清潔保養，可使機器保持良好運轉。擦拭機器時請使用乾布，機器不用時需放置於陰涼、通風處。

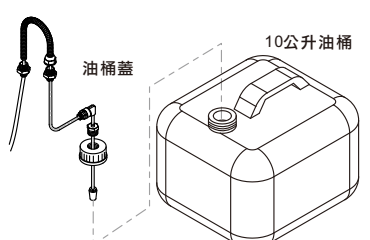
M-5 機器規格說明：



吊架(選配)

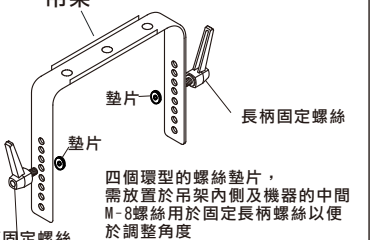
M-5 機器各部份說明

1. 噴嘴
2. 外殼
3. 把手
4. 油桶及油桶蓋
5. 油管及濾嘴
6. 連接頭
7. DMX 訊號輸出端 (3Pin 接頭)
8. DMX 訊號輸入端 (3Pin 接頭)
9. DMX 訊號輸出端 (5Pin 接頭)
10. DMX 訊號輸入端 (5Pin 接頭)
11. 電源開/關
12. 保險絲座(保險絲規格 120V/15A, 230V/7A)
13. 電源線
14. 防震腳
15. M-20液晶控制器



油桶蓋

10公升油桶



吊架

墊片

長柄固定螺絲

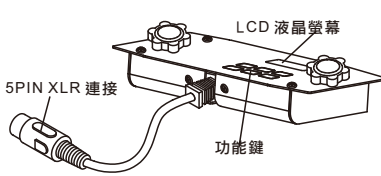
四個環型的螺絲墊片，需放置於吊架內側及機器的中間 M-8螺絲用於固定長柄螺絲以便於調整角度

M-5 REMOTE CONTROL

M-20

M-20 液晶螢幕控制器線長2米
5Pin XLR連接頭

功能：設定時間、噴煙間距、噴煙量大小、DMX位址、持續噴煙量、手動開/關及記憶的功能。



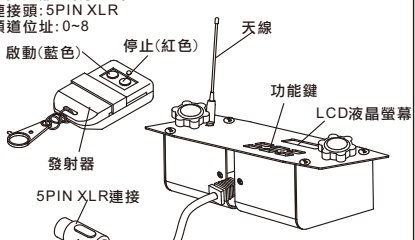
5PIN XLR 連接

LCD 液晶螢幕

功能鍵

M-30 (wireless)

M-30無線控制器
線長：2M
遙控距離：最多50米
連接頭：5PIN XLR
頻道位址：0-8



天線

功能鍵

LCD液晶螢幕

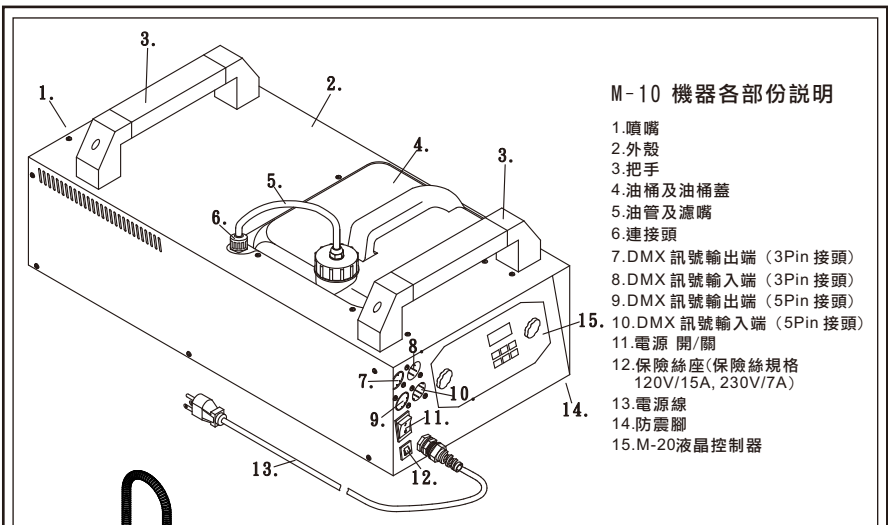
發射器

5PIN XLR連接

啟動(藍色)

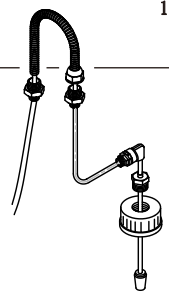
停止(紅色)

M-10 機器各部分說明

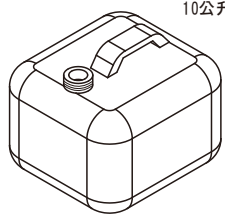


M-10 機器各部份說明

- 1.噴嘴
- 2.外殼
- 3.把手
- 4.油桶及油桶蓋
- 5.油管及濾嘴
- 6.連接頭
- 7.DMX 訊號輸出端 (3Pin 接頭)
- 8.DMX 訊號輸入端 (3Pin 接頭)
- 9.DMX 訊號輸出端 (5Pin 接頭)
- 10.DMX 訊號輸入端 (5Pin 接頭)
- 11.電源 開/關
- 12.保險絲座(保險絲規格 120V/15A, 230V/7A)
- 13.電源線
- 14.防震腳
- 15.M-20液晶控制器



油桶蓋



10公升-油桶

M-10 REMOTE CONTROL

M-20

M-20液晶螢幕控制器線長2米
5PIN XLR連接頭

功能: 設定時間、噴煙間距、噴煙量大小、DMX位址、持續噴煙量、手動開/關及記憶的功能

LCD液晶螢幕

功能鍵

5PIN 的XLR接頭

M-30 (wireless)

M-30 無線控制器
連接線長 2 米
無線控制有效距離 50 米, 5 Pin XLR連接頭
頻道位址 0-8

啟動(藍色) 停止(紅色)

天線

功能鍵

LCD液晶螢幕

發射器

5PIN XLR連接

型號

- 電壓
- 額定功率
- 加熱時間
- 耗油量
- 油桶容量
- 適用煙霧水
- 適用環溫
- 輸出量
- 控制方式
- DMX512頻道
- 連接座
- 選擇性配件
- 尺寸
- 重量

M-5

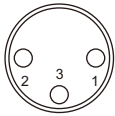
美規: AC 100-120V, 50/60Hz 12.5A
歐規: AC 220-240V, 50/60Hz 6.6A
1500瓦
(約) 8分鐘
160毫升/分鐘
10公升(2.64加侖)
AntariFLG濃煙霧水(淡綠色)
AntariFLR淡煙霧水(淡紅色)
0°C-40°C(32°F-104°F)
25,000ft³/min(708m³/min)
DMX512, 定時控制, 手動控制,
無線控制(選配)
占用1頻道
Neutrik Powercon(主電源)
XLR 3-pin 及5-pin(DMX512)
M-30Pro 無線控制模組
FX-5 飛行箱
M-5-HB 吊架
長668 寬320 高276mm
(長26.30 寬12.60 高10.87inch)
15.5公斤(34.17lbs)

M-10

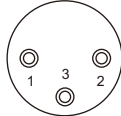
歐規: AC 220-240V, 50/60Hz 13A
3000瓦
(約) 9.5分鐘
250毫升/分鐘
10公升(2.64加侖)
AntariFLG濃煙霧水(淡綠色)
AntariFLR淡煙霧水(淡紅色)
0°C-40°C(32°F-104°F)
50,000ft³/min(1416m³/min)
DMX512, 定時控制, 手動控制,
無線控制(選配)
占用1頻道
Neutrik Powercon(主電源)
XLR 3-pin 及5-pin(DMX512)
M-30Pro 無線控制模組
FX-5 飛行箱
長690 寬320 高298mm
(長27.17 寬12.60 高11.73inch)
21公斤(46.30lbs)

▶ DMX連接PIN的接點說明

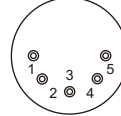
本機提供3 Pin或5 PIN XLR的DMX連接。下方為Pin的接點說明：



3 pin XLR



5 pin XLR



Pin	功能
1	接地
2	數據-
3	數據+

請妥善保存此操作手冊

Antari M-5 & M-10 內建 DMX 設定說明

頻道說明 A



頻道說明 B



M-5 & M-10 的機型已經內建有 DMX 的功能並設有 3PIN 及 5PIN 兩組公母連接座，可以隨意選擇機器上 3PIN 或 5PIN 連接座來連結 DMX 控制台，有關於動作的時間、噴煙量的大小及噴煙量的間距都將由 DMX 控制台控制，不再受機器原本的 M-20 控制器控制。使用相同的系統您可以輕易的連結煙霧機、燈光、其他的特效機器做全系統的演出。

每組 M-5 和 M-10 各佔用 2 個 DMX 頻道

頻道 A：

如果將 DMX 頻道 A 位置被設定在 0~5，則煙霧機停止動作。

DMX 位置在 6 至 255 中可以線性的控制煙霧的輸出量。在 6 的時候，煙量輸出是最小的，而在 255 的時候，煙霧機則提供 100% 的輸出。

頻道 B：

如果將 DMX 頻道 B 位置被設定在 250~255 時，煙霧機會進入 Nonstop Burst 模式，在此模式下，煙霧機會自動調整適當的煙量，而不需要停下來加熱，來提供不間斷的煙霧輸出。

動作優先順序說明：

當 A 頻道的輸出量設定數值在 6~255 之間時，B 頻道的數值設定在 250 至 255 之間時，會以 B 頻道的功能為主。

舉例說明

如果將 DMX 位址 124 設為頻道 A，則下組位址 125 會自動被選為頻道 B 來使用。

整體而言，ANTARI 的內鍵 DMX 功能的煙霧機，都能配合所有專業演出的控制要求。

1. 煙霧機內的熱能轉換器平均運作溫度是攝氏 250 度
2. M-5 和 M-10 均可在 Nonstop Burst，此模式下，來提供不間斷的煙霧出。

M-5 & M-10 Accessories



M-20 (Standard Remote)

- Cable Length : 2 m
- Connector : 5 Pin XLR
- Function : Timer with interval, duration and volume; set DMX address; continuous fogging; manual ON/OFF . (All above functions are displayed on a LCD screen and can be set precisely in seconds or percentage)



M-30(Optional Accessories)

- Cable Length : 2 m
- Wireless Range : Up to 50m
- R.F. Address : 0 ~ 8
- Compatible With : Full M-Series Range



FM-5 (Optional Flightcases)

- Dimensions (mm) : L805 W433 H310
- Weight : 13 kg
- Compatible With : M-5



FM-10 (Optional Flightcases)

- Dimensions (mm) : L824 W433 H332
- Weight : 14.2 kg
- Compatible With : M-10

FLR-5 Light Fog Liquid FLG-5 Heavy Fog Liquid



When only the best will do !
Optimized for use with all Antari fog machines.
High quality and performance, environmental
and friendly fog liquid with no oily residue and
pernicious materials.



For current product information visit Antari at: www.antari.com
For information requests please contact us at: sales@antari.com



C08M05005

www.antari.com